

SHUKY

SKJ 系列欧版颞式破碎机

SKJ Series Jaw Crusher



01 产品简介

Brief Introduction



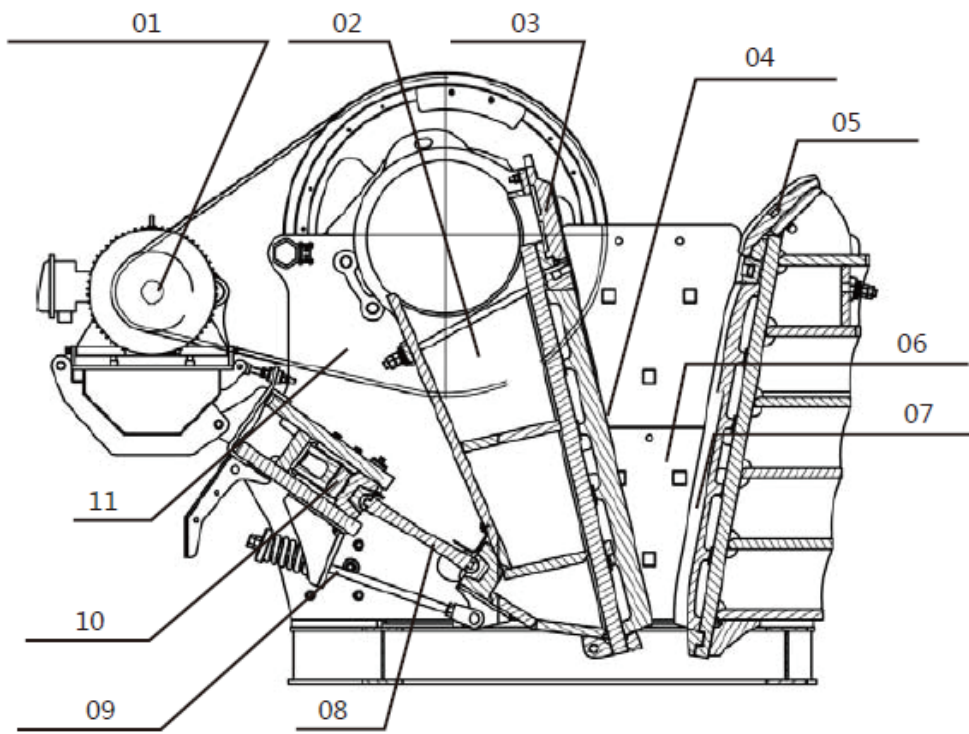
SKJ系列欧版颚式破碎机被用于粗、中碎作业。该机器集结了世界上最先进的破碎技术和制作工艺，在结构设计、工作性能、使用寿命、设备维护等方面具有其特有的优越性，是坚硬、强腐蚀性物料进行高效破碎时的首选。目前，上海山启最新研制开发生产的欧版SKJ颚式破碎机已成为高速公路、铁路、机场跑道、矿山、建材、冶金、化工等领域最受青睐的颚式破碎机之一。

SKJ series European Jaw Crusher is generally suitable for primary and secondary crushing. Adopting the most advanced technology and craftsmanship in the world, SKJ series European Jaw Crusher is the top choice when crushing hard, strong-corrosive materials effectively with unique advantages on structural design, working performance, service life and maintenance. The latest SKJ series European jaw crusher researched and developed by Shanghai Shunky Machinery Co., Ltd, which has become the most popular Jaw Crusher in the construction of highway, railway, airport runway, mining, building materials, metallurgy, chemical industries, etc.



02 内部结构

Inner Structure



- | | |
|--------------|---|
| 01 电机及电机调整装置 | 01 Motor and adjusting device of motor |
| 02 动颚 | 02 Movable jaw |
| 03 动颚护板 | 03 Protective plate for movable jaw plate |
| 04 动颚板 | 04 Movable jaw plate |
| 05 入料护板 | 05 Feeding plate |
| 06 边护板 | 06 Edge plate |
| 07 定颚板 | 07 Fixed jaw plate |
| 08 肘板 | 08 Toggle plate |
| 09 拉杆及弹簧 | 09 Pull bar and spring |
| 10 调整装置 | 10 Adjusting device |
| 11 机架 | 11 Frame |

03 性能特点

Features

1. 先进的动颚总成，使其更经久耐用。动颚总成由高质量铸钢件（焊接件）构成，大型飞轮（皮带轮）采用整体铸钢工艺，重型偏心轴经锻打加工而成，使得SKJ系列颚式破碎机可靠性更高。

1. More advanced movable jaw assembly lengthens the using life. The movable jaw assembly is composed of high-quality steel casting (weld assembly); large flywheel (pulley) adopts inblock casting process; the heavy eccentric shaft is processed of forging. All of the above processes make SKJ series European Jaw Crusher own overwhelming reliability.

2. 整体式铸钢结构轴承座。整体铸钢轴承座能够与机架完全配合，同时也大大增强了轴承座的径向强度，降低了设备的维护成本。

2. Integral cast steel structure is adopted for bearing seat. The integral bearing seat can fit the frame completely, which not only enhances the radial strength but also reduces the maintenance cost.

3. 轴承规格更大、承载能力更强。SKJ系列颚式破碎机采用了比同规格破碎机更大更耐用的轴承，其更高的承载能力和有效的迷宫密封设计显著延长了轴承使用寿命。

3. Bearing with larger specification and higher bearing capacity is used. Compared with the other series of jaw crushers, SKJ series European Jaw Crusher adopts larger and more durable bearing. The larger carrying capacity and efficient labyrinth seal lengthen the life span of bearing dramatically.

4. 对称“V”型破碎腔。对称“V”形腔型设计，肘板大倾角、大冲程、合理转速，使进料粒度更大、产量更高、粒度更加均匀，颚板磨损降低。

4. Crusher chamber adopts “V” structure. Symmetric “V” chamber structure design, large angle of toggle plate, large stroke and optimal revolving speed bring larger feeding size, larger capacity, more evenly particle sizes and reduced abrasion of jaw plates.

5. 安全快捷的排料口调整装置。采用液压楔块式排料口调整装置，方便调节排料口大小，提高检修自动化程度。在供电中断导致设备带负载停机而需要清腔时，该系统方便操作，缩短停机时间。

5. Adjustment of the discharge part is more convenient. The discharge opening is adjusted by hydraulic and wedge block type, which makes discharge opening adjustment more convenient and makes maintenance more automatic. This system can reduce downtime obviously when the chamber needs to be cleared for the machine halt caused by power failure.

6. 更合理的动力学参数设计，破碎腔底部有效冲程更大。SKJ系列采用大离心力和陡肘板倾角设计，大冲程，合适的转速和飞轮惯性保证了更好的破碎性能。



6. More reasonable dynamic parameters design makes larger effective stroke at the bottom of crushing chamber. The SKJ series adopt large centrifugal force and large dip angle of toggle plate. Large stroke, appropriate speed and flywheel inertia ensure better crushing performance.

7. 采用齿形护板。SKJ系列欧版颚式破碎机采用新型齿形护板，提高产量，延长易损件维护周期。

7. Tooth-type jaw plate is adopted. The adoption of tooth-type jaw plate increases the capacity and lengthens the maintenance period of spare parts.

8. 结构设计更合理，性能更稳定。整机采用模块式设计，方便拆卸和运输。高出的动颚齿板既能有效保护动颚和轴承室，又能保证下料畅通，避免塞料现象，实现最佳的连续破碎作业性能。

8. More rational design and more stable performance. The complete machine adopts modular design, which makes disassembly and transportation more convenient. The raised movable jaw plate can not only protect the movable jaw and bearing chamber but also ensure smooth discharging and realize optimal continuous crushing operations.

9. 一体化的电机机座。SKJ系列颚式破碎机的电机机座与破碎机的机架一体安装，减少了破碎机安装空间和“V”型带的长度。由于破碎机与整体电机座同步运动以及电机机座上枢轴的位置可以调整从而能够调节电机“V”型带的张力，“V”型带的使用寿命更长。

9. Integrated motor frame. The motor frame and crusher frame are installed together, which reduces installation space and length of "V" belt. Because the crusher and the motor frame do synchronously motion and the tension of "V" belt can be adjusted by adjusting the position of pivot on motor frame, the "V" belt has longer life span.

10. 特殊减振装置，有效保护设备。SKJ系列颚式破碎机的橡胶减振装置和限位块通过吸收振动峰值载荷，并允许破碎机横向和纵向位移，从而有效的降低破碎机对基础的冲击。独特的安装系统，避免地脚螺栓损坏颚式破碎机的基础。

10. Special damping device protects the machine effectively. The rubber damping device and limited block reduce the impact of crusher to foundation effectively by absorbing peak load of vibration and extending lateral and longitudinal displacement. The unique installation system prevents the foundation bolt from damaging the foundation.

11. 安全可靠性能更高。SKJ系列颚式破碎机的飞轮护罩用螺栓连接在破碎机的侧板上，有效的保护破碎机操作者，而且方便维护。

11. More safety and reliability. The flywheel cover is fixed on the side plate of crusher by bolts, which protects the operator effectively and makes maintenance more convenient.



04 工作原理 Working Principle

电动机通过皮带和皮带轮，带动动颚总成按预定轨迹做往复运动。当动颚上升时肘板和动颚间夹角变大，从而推动动颚板向定颚板靠近，与此同时物料被挤压、搓碾等多重破碎。当动颚下行时，肘板和动颚间夹角变小，动颚板在拉杆、弹簧的作用下离开定颚板，已破碎物料从排料口排出。

The motor drives movable jaw assembly do reciprocating motion according to the desired trajectory under the action of belt and pulley. The angle between toggle plate and movable jaw increases when movable jaw moves up and the movable jaw closes to the fixed jaw. The materials are crushed in this process. The angle between toggle plate and movable jaw decreases when movable jaw moves down and movable jaw moves away from fixed jaw under the action of the tension rod and spring, then products after being crushed are discharged from the discharge opening.

05 技术参数 Technical Parameters

型号 Model	SKJ630×1000	SKJ870×1100	SKJ1100×1300	SKJ1200×1600
进料口尺寸 Opening size(mm)	630×1000	870×1100	1100×1300	1200×1600
最大进料尺寸 Max feeding size(mm)	580	720	960	1180
排料口调整范围 Discharging opening range(mm)	80-180	85-220	120-260	165-320
处理能力 Capacity(t/h)	100-230	130-450	260-780	450-1200
电机 Motor(kw)	75	110	160	220
外形尺寸 Dimension (mm)	3763×2280×2644	4124×2480×3020	4836×2762×3489	6700×4040×4465



地址：上海市浦东新区金海路1000号

电话：021-66039988

传真：021-66030508

邮编：201206

网址：www.shunky.com www.shunky.cn

Email：Service@shunky.com



注：本手册内容如有变更恕不另行通知。

